

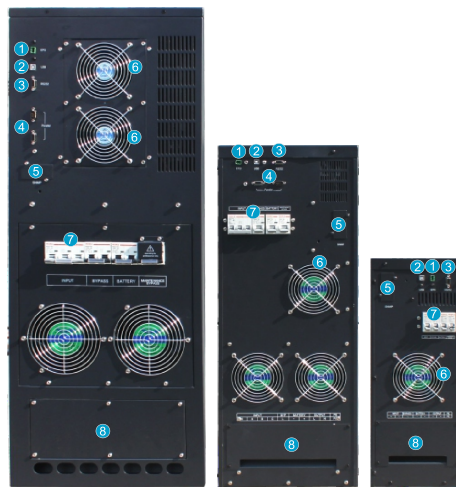
# DURABLE

6 kVA ~ 10 kVA (1:1)  
 10 kVA ~ 30 kVA (3:1)  
 PF 0.8



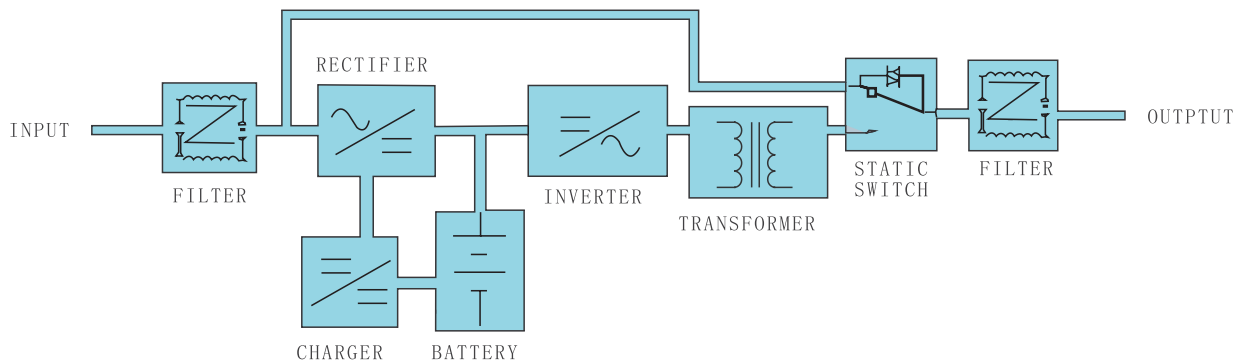
## Features

- Single / single-phase, three / single-phase models with on-line double conversion technology
- DSP (Digital Signal Processors) technology
- Suitable for all kinds of loads (resistive, inductive and non-linear loads etc)
- High overload capability (up to 150%)
- Bypass dual DSP control design to enhance more reliability
- Supports dual input, hot standby in series
- Redundant & parallelable with advanced parallel current-sharing control technology
- Cold start and mains start function
- High charging capability: 2 A / 4 A / 6 A / 8 A / 10 A / 12 A selectable (standard), 14 A / 16 A / 18 A / 20 A / 22 A / 24 A selectable (options)
- Standard configuration with output isolation transformer
- Superior protection (surgers, short-circuit, overvoltages, undervoltages, overcharge, reverse connection protection etc)
- Advanced communications (RS232 and USB ports (standard), SNMP, dry contacts and RS485 (options))
- Other options (parallel kits, input isolation transformer, bypass isolation transformer and harmonic suppressor)



## Rear Panel

1. EPO
2. USB
3. RS232
4. Parallel port
5. SNMP (optional)
6. Fan
7. Breaker
8. Terminal



## Specifications

MODEL	DUR 6 (1:1)	DUR 10 (1:1)	DUR 10 (3:1)	DUR 15 (3:1)	DUR 20 (3:1)	DUR 30 (3:1)
Capacity	6 kVA 4800 W	10 kVA 8 kW	10 kVA 8 kW	15 kVA 12 kW	20 kVA 16 kW	30 kVA 24 kW
<b>INPUT</b>						
Rated voltage	220 / 230 / 240 Vac (1 $\phi$ +N+PE)		380 / 400 / 415 Vac (3 $\phi$ +N+PE)			
Voltage range	165 ~ 275 Vac		285 ~ 475 Vac			
Rated frequency	50 Hz / 60 Hz					
Frequency range	40 ~ 70 Hz					
Frequency tracking range	$\pm$ 5% Hz					
<b>BYPASS</b>						
Rated voltage	220 / 230 / 240 Vac (1 $\phi$ +N+PE)					
Overload	Load current < 150% rated current: long time running, 150% $\leq$ load current < 200% for 1 min, 200% rated current $\leq$ load current for 200 ms					
<b>BATTERIES</b>						
Battery voltage	192 Vdc					
Battery type	VRLA AGM maintenance-free lead based					
Number of battery	12 V $\times$ 16 pcs					
Charging voltage	216 Vdc					
EOD	168 Vdc					
Charging current	Default 8 A (2 A / 4 A / 6 A / 8 A / 10 A / 12 A selectable)					
<b>OUTPUT</b>						
Rated voltage	220 / 230 / 240 (1 $\phi$ +N+PE)					
Power factor	0.8					
Waveform	Sinusoidal					
Rated frequency	50 Hz / 60 Hz (settable)					
Frequency precision	Mains mode: track bypass input in the state of synchronization Battery mode: 50 / 60 $\pm$ 0.1 Hz					
Voltage precision	$\pm$ 1%					
Recovery time of transient voltage	< 20 ms					
Crest factor	3:1					
THDV	$\leq$ 3% (linear load); $\leq$ 6% (non-linear load)					
Overload	Load $\leq$ 105%: long time running, 105% < load $\leq$ 125% for 10 min, 125% < load $\leq$ 150% for 1 min, 150% < load $\leq$ 200% for 200 ms, 200% < load for 100 ms					
<b>OTHERS</b>						
Transfer time	0 ms					
Protections	Short-circuit - overload - overvoltage - undervoltage - low battery - overtemperature					
Communications	RS232 / USB (standard); RS485 / SNMP / dry contacts (optional)					
Operating temperature	0 ~ 40 $^{\circ}$ C					
Storage temperature	- 25 $^{\circ}$ C ~ 55 $^{\circ}$ C (without batteries);					
Relative humidity	0 ~ 95% (non-condensing)					
Operating altitude	$\leq$ 1000 m (derating 1% for each additional 100 m)					
Noise level	< 60 dB (at 1 m)					
MTBF	MTBF > 200000 h					
MTR	MTR < 0.5 h					
IP rating	IP 20					
Dimensions (W $\times$ D $\times$ H) (mm)	210 $\times$ 585 $\times$ 590	310 $\times$ 600 $\times$ 880		400 $\times$ 815 $\times$ 1100		
Packaged dimensions (W $\times$ D $\times$ H) (mm)	328 $\times$ 716 $\times$ 805	430 $\times$ 710 $\times$ 1080		525 $\times$ 925 $\times$ 1305		
Net weight (kg)	54	96	130	201	230	277
Gross weight (kg)	64	108	142	216	245	292

- All specifications subject to change without notice.
- Custom-made specifications are acceptable.